

Acoustic



Installation guide

Installation Guide

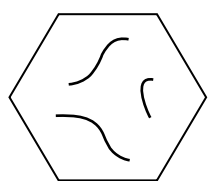
Acoustic mycelium-based products

Mogu Acoustic collection marks an unprecedented revolution for interior design comfort. Mogu Acoustic are the first commercially available products of their kind, entirely made of fungal mycelium and of upcycled textile residues. Thanks to the unique technology, Mogu Acoustic panels represent today the most sustainable solution dedicated to acoustic comfort. Please check our Care & Instructions Manual for detailed information about correct product handling.

TABLE OF CONTENTS

General Introduction	p.3
Product Information	p.4
WAVE	p.4
KITE	p.6
FIELDS	p.8
PLAIN	p.10
Glue-based installation	p.12
Magnet-based installation	p.13
Care & Instructions	p.14
Contacts & support	p.15

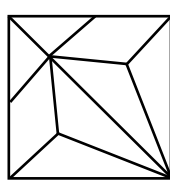
Models



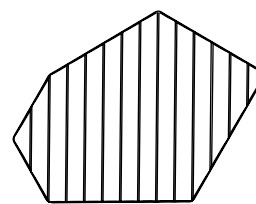
WAVE HEX



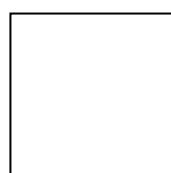
WAVE RHOMBOID



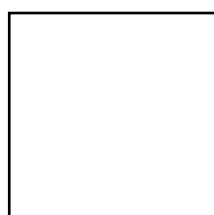
KITE



FIELDS



PLAIN - 50



PLAIN - 60



PLAIN - 100

General Introduction

Nature's technology

We hope you are satisfied with your new Mogu product. It was (grown and) made in Italy, out of low value residues and the most advanced mycelium technology, with the lowest possible environmental impact. Mogu Acoustic panels are the result of transformation processes which have as input biological materials; Mogu attentively carries out such transformations, thanks to its advanced technical protocols, derived by Nature and crafted with the utmost care. Despite Mogu's best efforts, due to the very nature characterizing biological materials, our products may bear slight differences from the reference standard pattern seen in reference images. Small imperfections, such as color differences and irregular edges or surface should be considered as inherent value, deriving from employing Nature's finest technologies.

Arrival & Installation

Mogu Acoustic panels are delivered ready to mount, as in your preferred solutions for fixing. Mogu products are dimensionally stable, so they can be installed immediately after arrival. Upon delivery, open the boxes and inspect the products immediately. Eventual damages should be reported to Mogu immediately. If installation happens days after delivery, make sure to leave the boxes open, stored in original packing in a clean, climate controlled environment free of moisture. Handling of Mogu products should happen with the utmost care, not imposing any force into the material. Wall & ceiling surface where you install Mogu products should be clean and free of dust. Never install Mogu products on surfaces subject to humidity or on recently painted surfaces; paint should dry at least a week before installation.

Product handling

Do not cut, paint or manipulate Mogu products in any way. Mogu declines any responsibility for product performance (acoustics, fire and all declared properties) after alteration. Do not screw into the panels or use any other fixing system rather than the ones recommended by Mogu's installation guidelines. Mogu bears no responsibility for properly checking the environment and surface conditions where the products are installed. The responsibility for the evaluation of potential issues and compensating for different field conditions is with the installer. You are welcome to contact us at support@mogu.bio for inquiries concerning installation & products handling.

Dimensions & weight

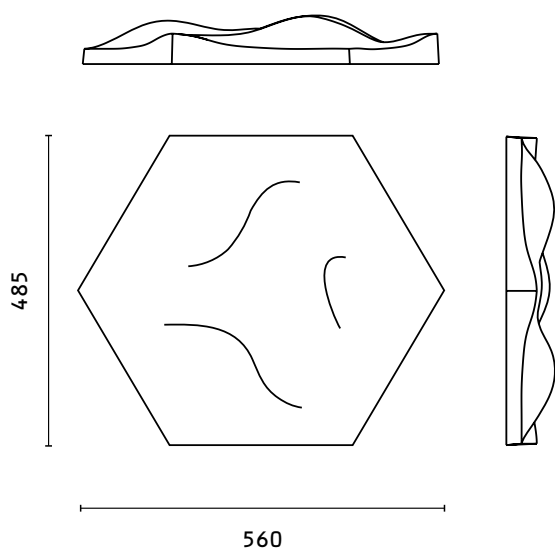
	w [mm]	h [mm]	t [mm]	side [mm]	sqm	n°/sqm	weight [Kg]
WAVE HEX	560	485	25-75	280	0.2	5	1.1
WAVE RHOMBOID	280	485	25-60	280	0.1	10	0.6
KITE	500	500	40-75	500	0.25	4	1.3
FIELDS	760	535	45	210	0.25	4	1.2
PLAIN - 50	500	500	40	500	0.25	4	1.0
PLAIN - 60	600	600	40	600	0.36	2.78	1.2
PLAIN - 100	500	1000	40	500	0.5	2	1.5

Product Information

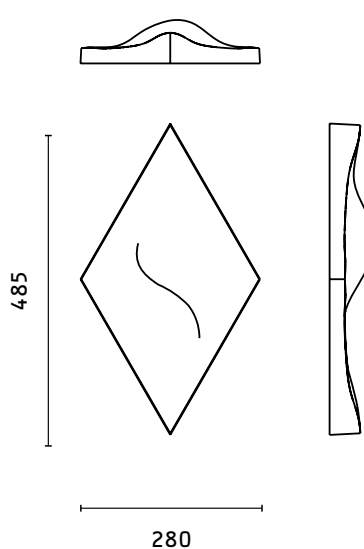
WAVE

The WAVE model is available in Hexagon or Rhomboid shapes, allowing for different typologies of compositions and arrangements. The soft waves and the geometric edges allow for multiple configurations in all directions, creating a wall that generates the sensation of wandering through hills covered in fresh snow. Mogu Wave can be installed as a single panel or as a composition. To maximize its aesthetic effect, we suggest dispositions that resemble clouds.

WAVE HEX



WAVE RHOMBOID



Dimensions & weight

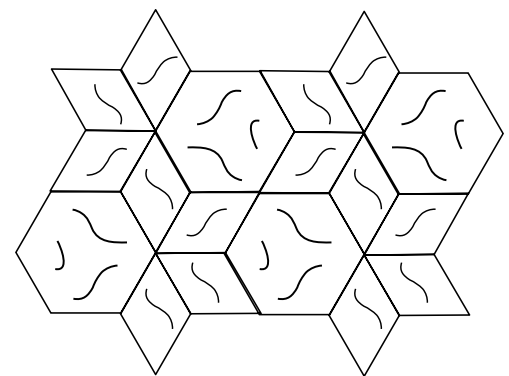
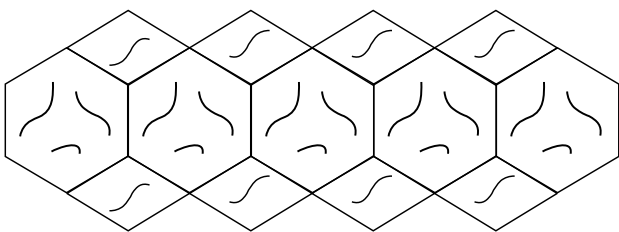
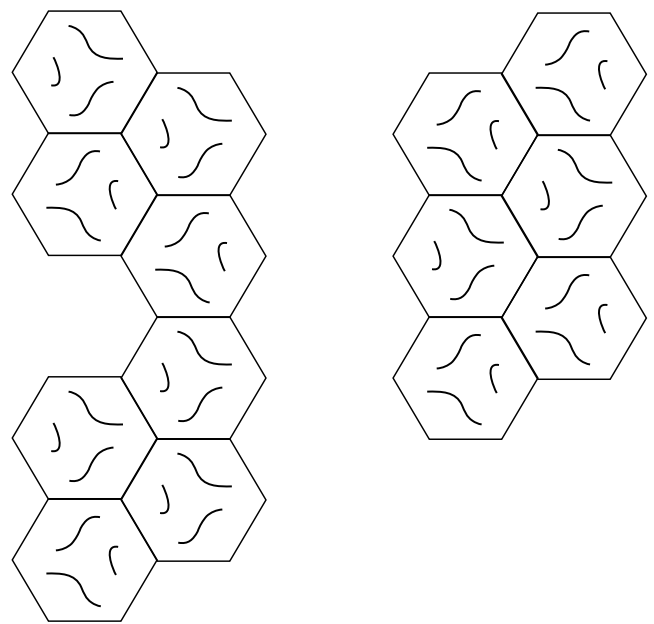
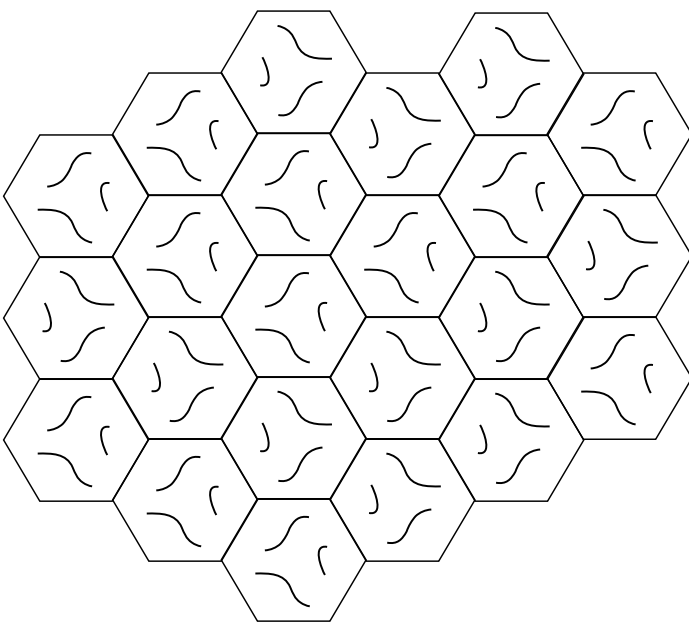
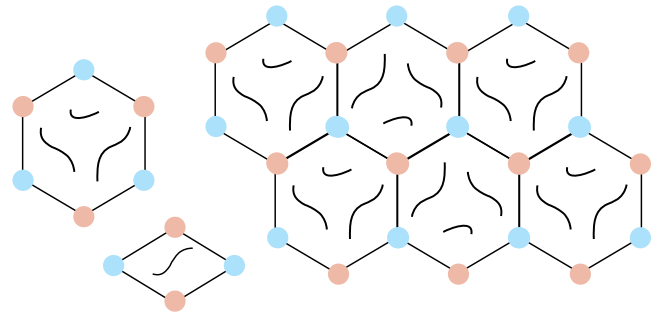
	w [mm]	h [mm]	t [mm]	side [mm]	sqm	n°/sqm	weight [Kg]
WAVE HEX	560	485	25-75	280	0.2	5	1.1
WAVE RHOMBOID	280	485	25-60	280	0.1	10	0.6

Packing info

	Box dimensions				weight [Kg]	n°/box	n°box/sqm	sqm/box
	w [mm]	h [mm]	t [mm]	v [m3]				
WAVE HEX	585	530	300	0.1	6.0	4	1.25	0.8
WAVE RHOMBOID	585	530	300	0.1	7.2	12	0.83	1.2

Arrangement examples

Both Hexagon and Rhomboid shapes feature thicker edges that, once aligned with adjacent modules, form a wavy pattern. By rotating the Hexagons and Rhomboids, you can easily find edge correspondence, as it is shown in the graphic on the right. Mogu Wave panels can be arranged in a full composition, as shown below, or in an open layout. Mogu panels are dimensionally stable, thus you are free to choose the preferred distance among the panels.

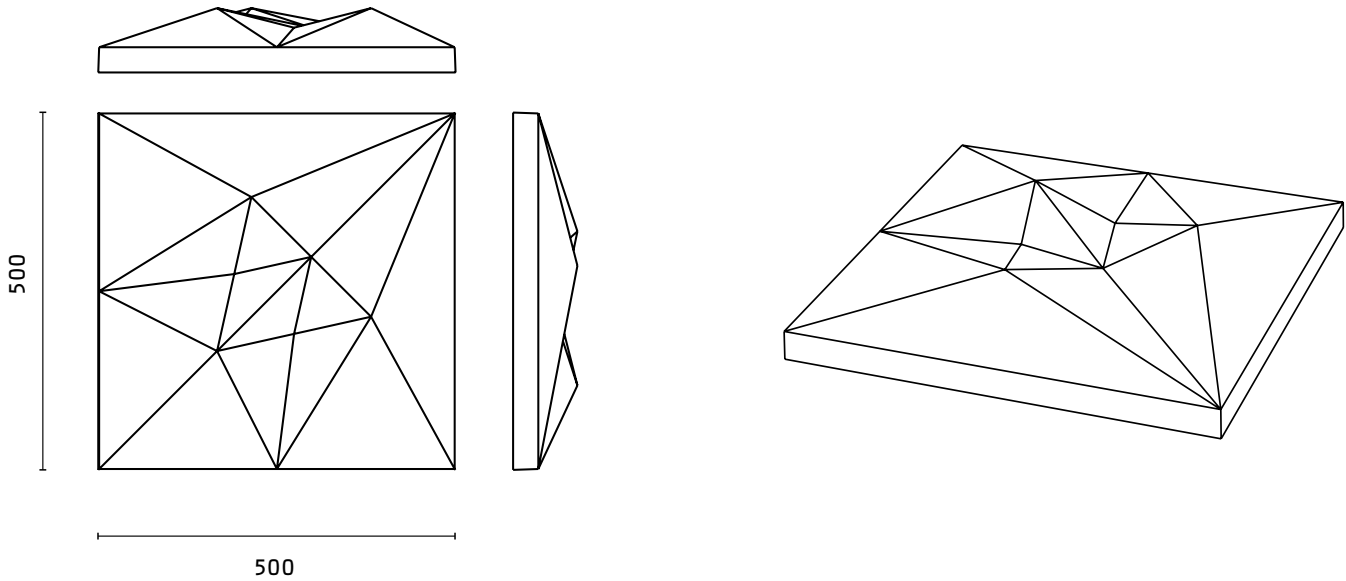


Product Information

KITE

The Kite panel is inspired by the interplay between light and the candid surface of mycelium materials. The geometric folds create a visual pattern through shadows and highlights, in a play of contrasts with the softness of Mogu materials.

SQUARE



Dimensions & weight

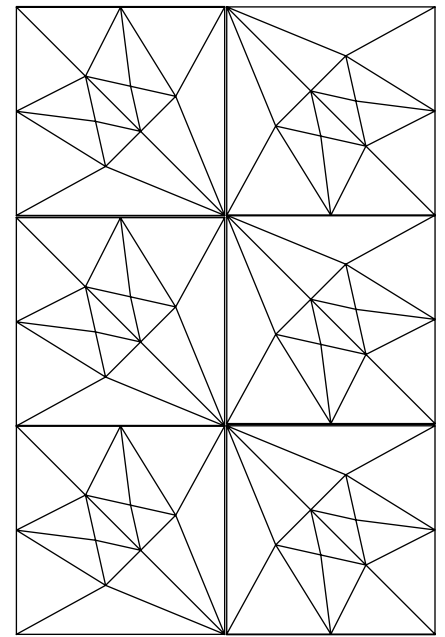
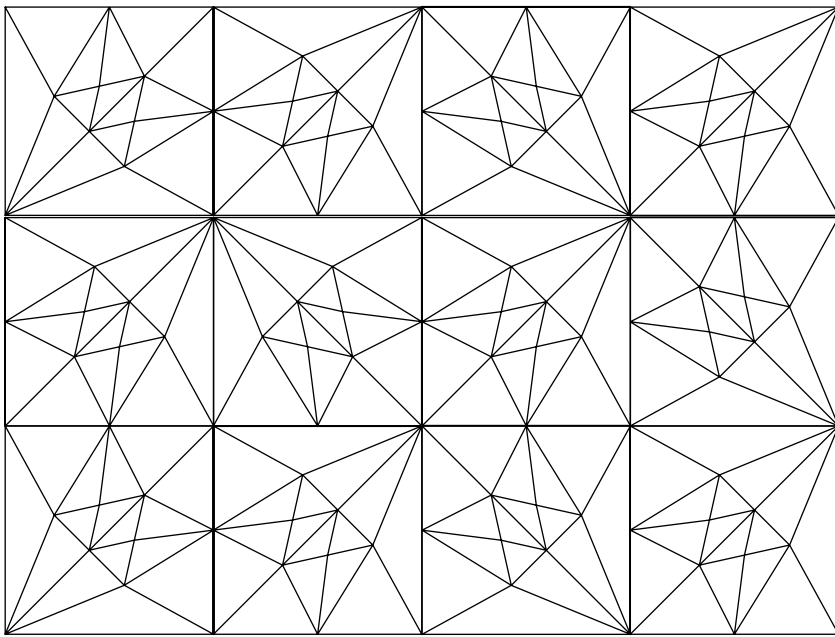
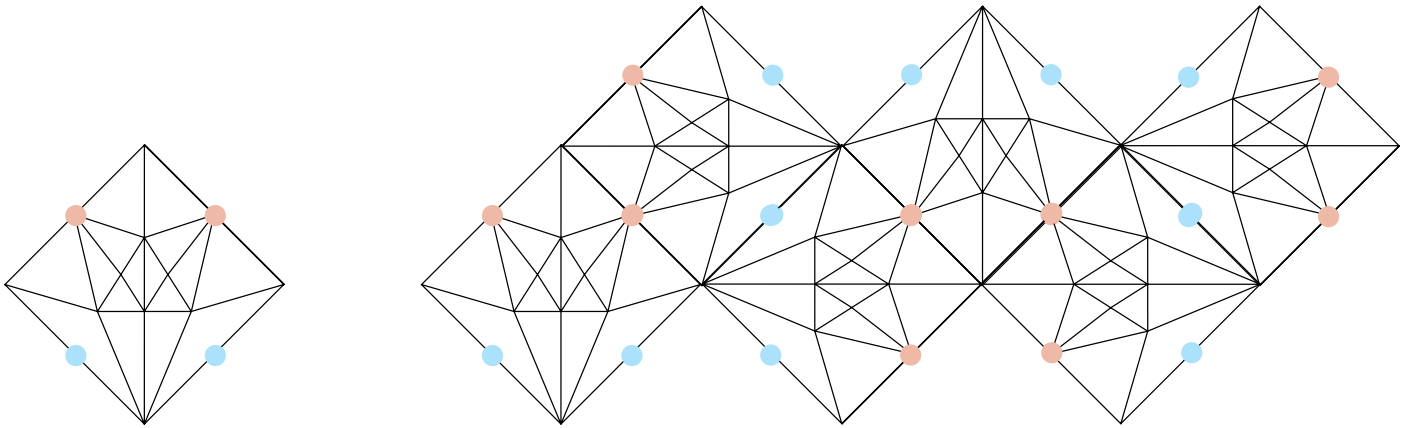
	w [mm]	h [mm]	t [mm]	side [mm]	sqm	n°/sqm	weight [Kg]
KITE	500	500	40-75	280	0.25	4	1.3

Packing info

	Box dimensions							
	w [mm]	h [mm]	t [mm]	v [m3]	weight [Kg]	n°/box	n°box/sqm	box/sqm
KITE	585	530	300	0.1	6.0	3	1.25	1.25

Arrangement examples

Kite modules feature two sides with a midpoint fold (pink dots) and two adjacent sides without (blue dots). By matching these reference points, the panels form a playful and surprising geometric pattern, shown at its best with the interplay of light and shadows. The composition can be arranged as square tile, or as diamond tiling.

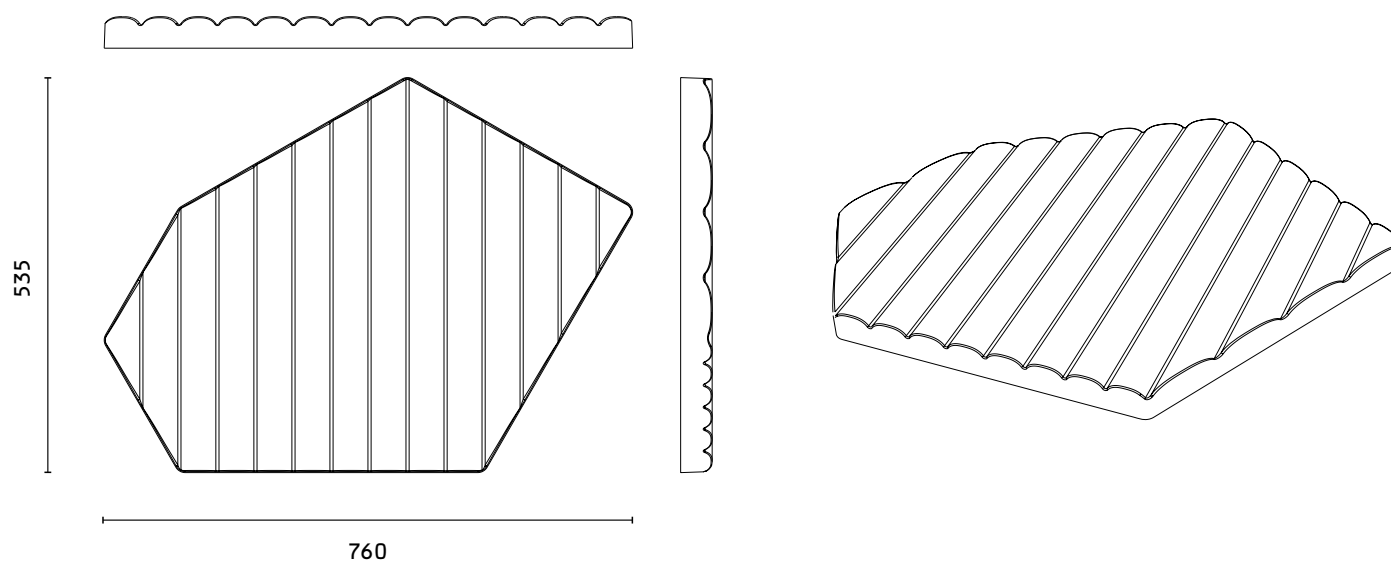


Product Information

FIELDS

Inspired by the patches of cultivated land as seen from above, Mogu Fields features an irregular hexagon shape. Its soft, velvety surface is marked by delicate stripes, recalling the pattern of the seeding tracks. A calm texture, evoking the long-lasting collaboration between Humans and Nature.

IRREGULAR HEXAGON



Dimensions & weight

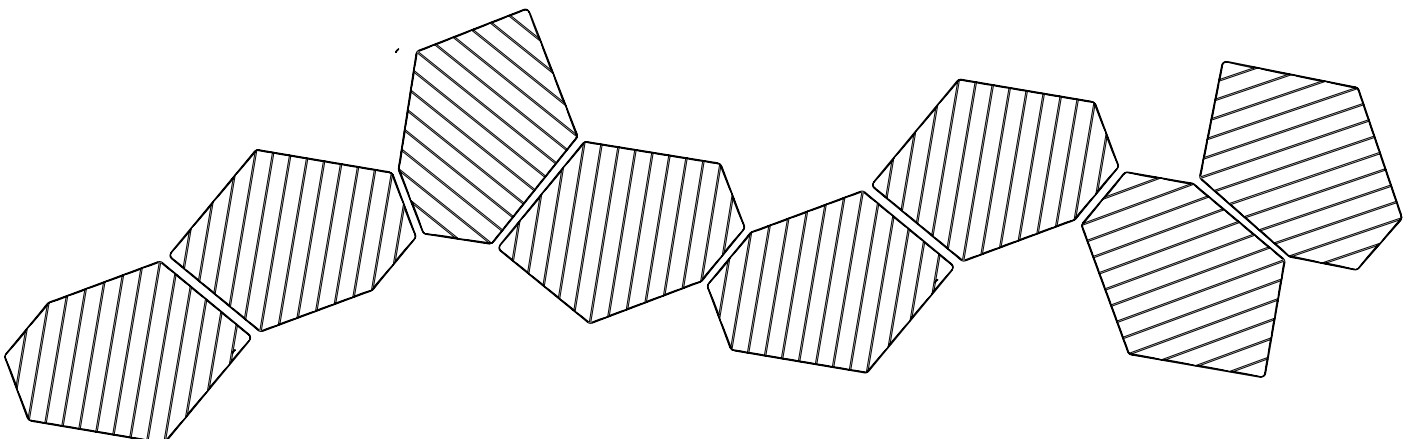
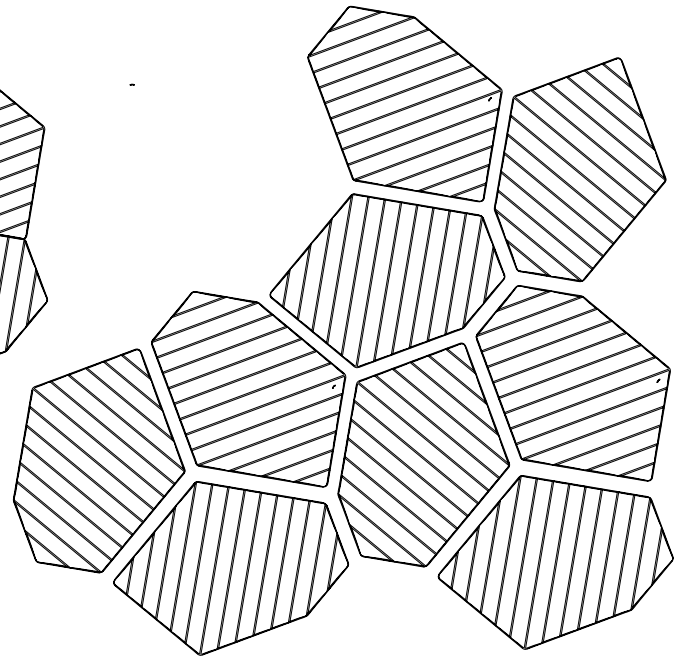
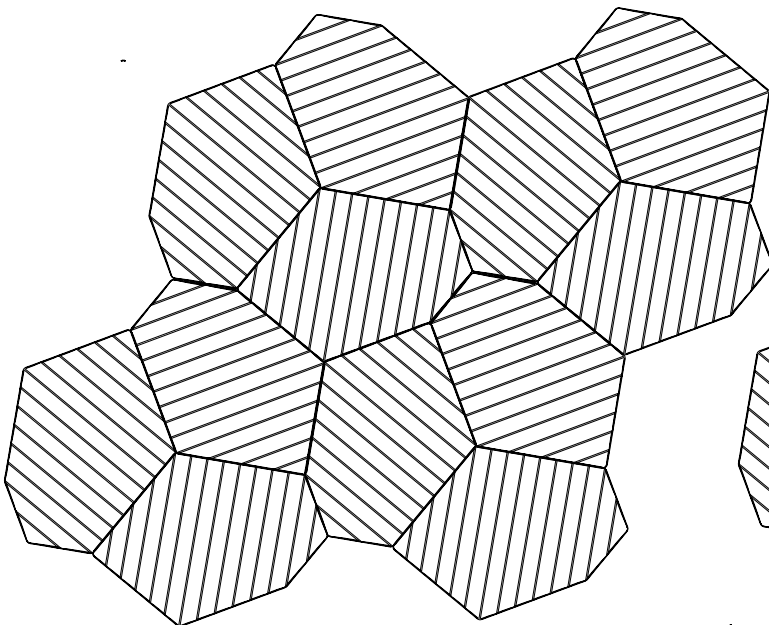
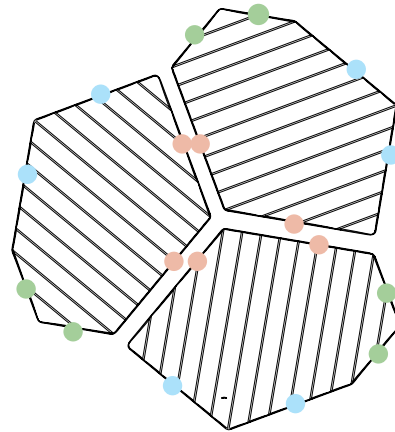
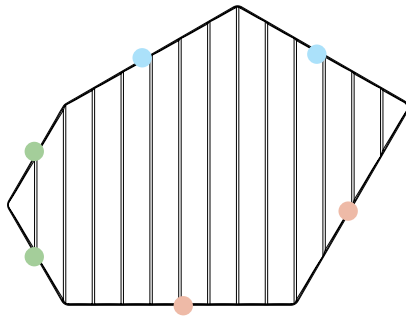
	w [mm]	h [mm]	t [mm]	side [mm]	sqm	n°/sqm	weight [Kg]
FIELDS	760	535	45	205	0.25	4	1.2

Packing info

	Box dimensions							
	w [mm]	h [mm]	t [mm]	v [m3]	weight [Kg]	n°/box	n°box/sqm	sqm/box
FIELDS	795	565	300	0.15	11.0	8	0.5	2

Arrangement examples

Though irregularly shaped, Mogu Fields modules allow for a perfect tiling by means of simple rotation of its geometry on one side. For a regular composition, please find below the guidelines on the correct alignments of edges. When adjacent, as in their standard configuration, the lines will always meet each other, creating a visually ordered and elegant pattern. Mogu Fields can be arranged without any distance among the panels, or with 5-10 cm space, according to your aesthetic preference.

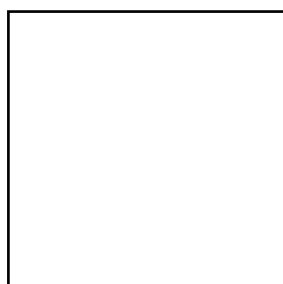


Product Information

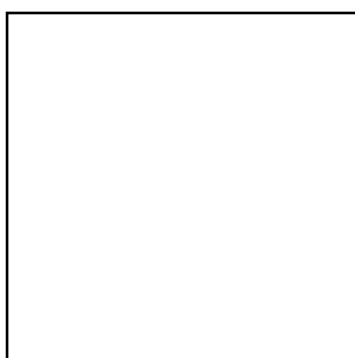
PLAIN

Less is more. Sometimes simple volumes valorise the unique qualities of a material better than any complex shape. The Plain modules are regular tiles allowing for interesting and playful compositions, while shouting their manifesto through a silent simplicity. The PLAIN model is available as square or rectangle tiles and in different sizes, allowing for different typologies of compositions and arrangements.

PLAIN - 50



PLAIN - 60



PLAIN - 100



Dimensions & weight

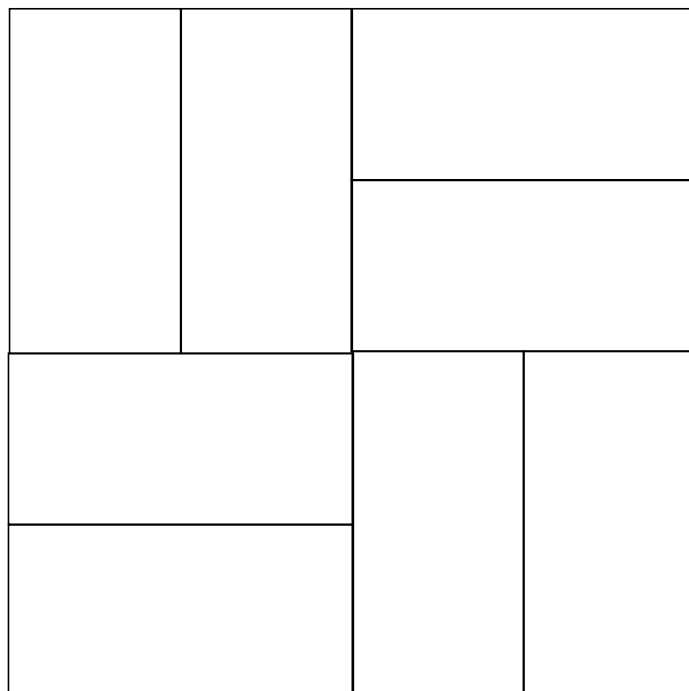
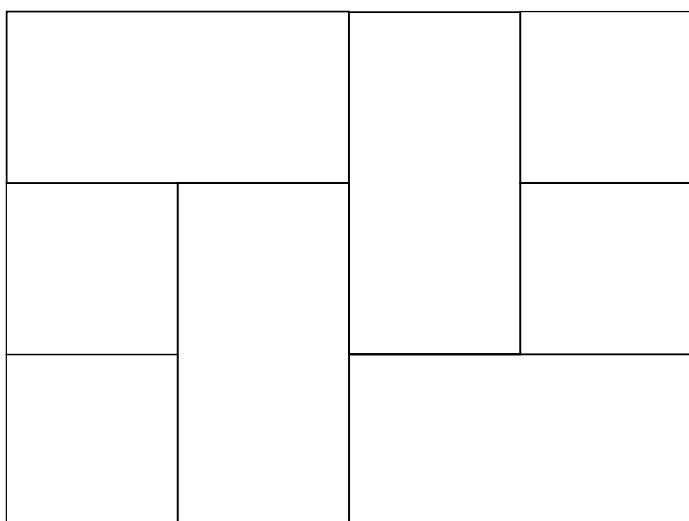
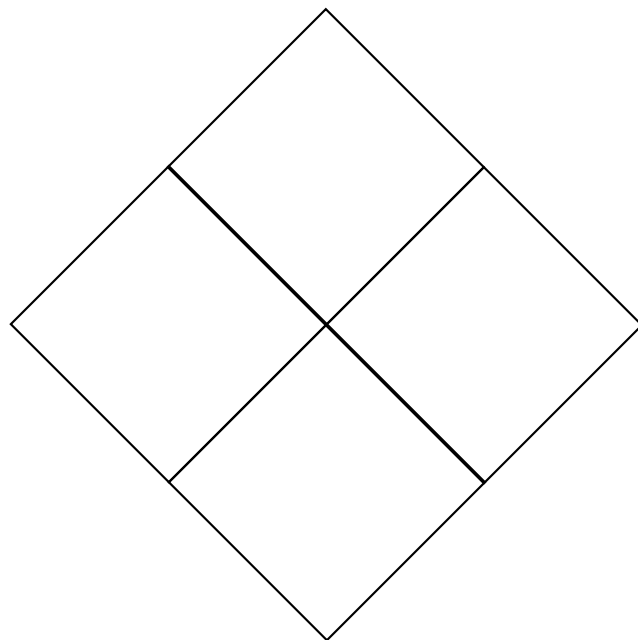
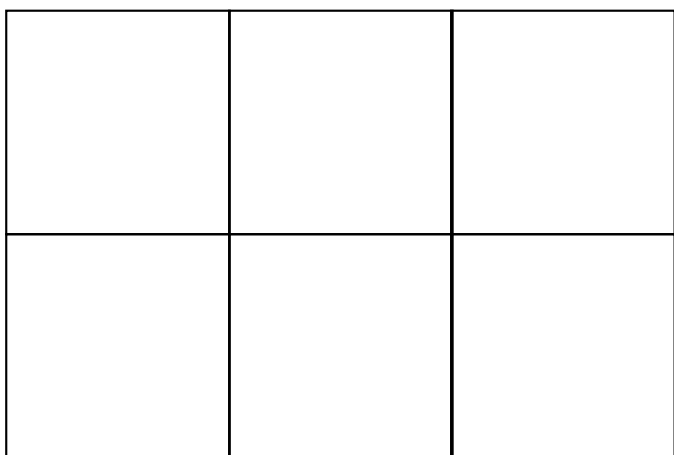
	w [mm]	h [mm]	t [mm]	side [mm]	sqm	n°/sqm	weight [Kg]
PLAIN - 50	500	500	40	500	0.25	4	1.0
PLAIN - 60	600	600	40	600	0.36	2.78	1.2
PLAIN - 100	500	1000	40	500	0.5	2	1.5

Packing info

	Box dimensions							
	w [mm]	h [mm]	t [mm]	v [m3]	weight [Kg]	n°/box	n°box/sqm	sqm/box
PLAIN - 50	795	565	300	0.15	11.0	8	0.5	2

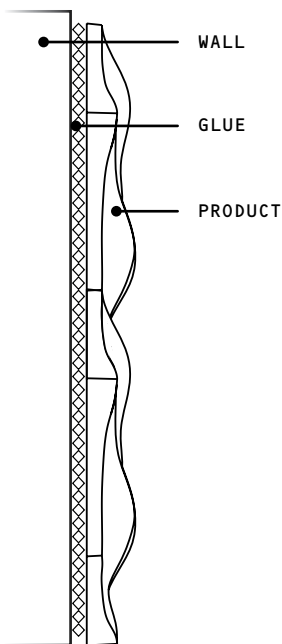
Arrangement examples

The composition can be arranged as square tile, or as diamond tiling. Mogu Plain 50 and Plain 100 are designed to be combined in regular and graphic compositions.

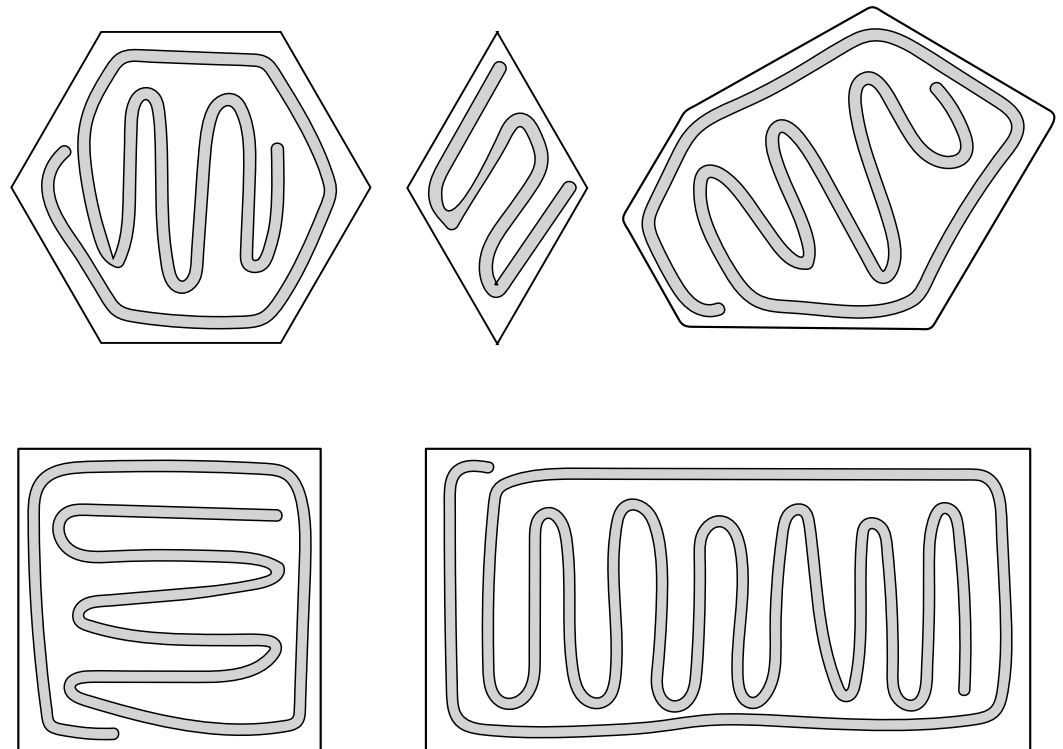


Glue-based Installation

Glue application



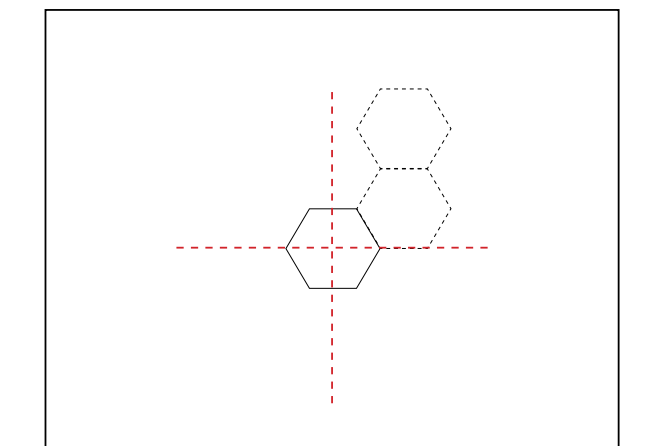
Mogu Acoustic panels can be installed with any commercially available glue, suitable for generic type of materials. For mounting Mogu Acoustic panels, Mogu recommends Pattex 'No More Nails' or Silacoll 100 for fire-proof applications. Make sure to distribute a sufficient amount of glue on the panel as shown below. Distribute the glue close to the edges, leaving 2-3 cm of distance, so that when force is applied, the glue will be pressed until the edges without resulting visible.



Guidelines

Before starting, read and follow the General Instructions in this document, the guidelines for Glue application and the Care & Maintenance Instructions available on Mogu website.

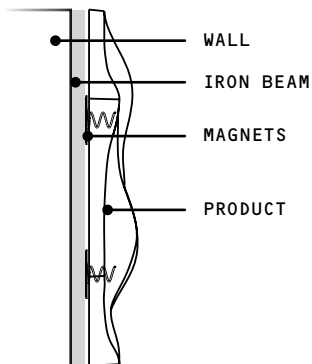
1. Test your composition on a clean floor, choosing your favorite arrangement;
2. Use a level to establish a cross-line at the centre of your wall;
3. Place the first panel without applying too much force and use the level to check squareness of alignment;
4. Press force over the material gently, better if using the wrapping paper provided in Mogu packing;
5. You can now continue with your composition by simply taking the side of each hexagon as reference!
6. Make sure to use the level for each product, in order to check squareness.



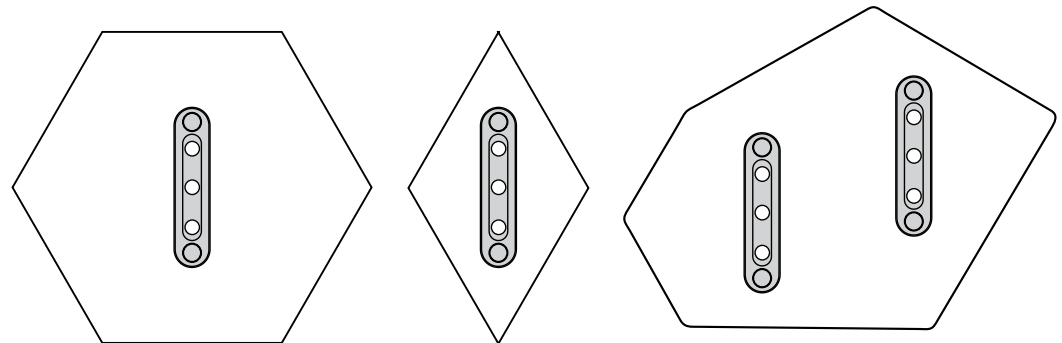
Magnet-based Installation

Magnetic fixing system

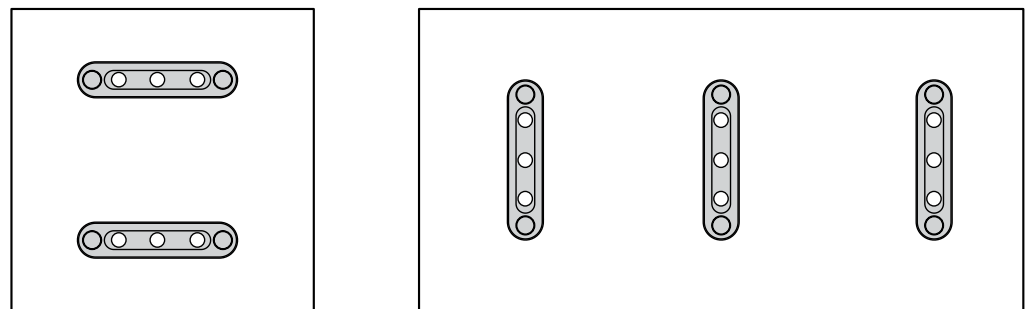
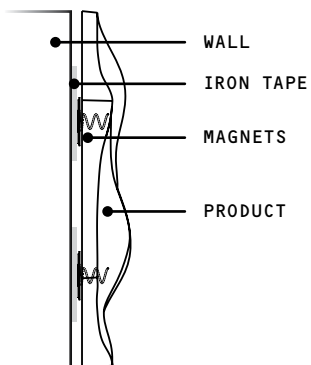
OPTION 1 //



Mogu's exclusive fixing system is designed specifically for Mogu Acoustic products. It is based on the combination of magnets and custom-made screws that hold the magnets inside the mycelium material. When you choose the magnet-based option, Mogu products will arrive already equipped with the fixing system, in the standard configuration as below. On the wall, you can either choose to install a grid of iron beams, or order a special metallic tape provided by Mogu.



OPTION 2 //

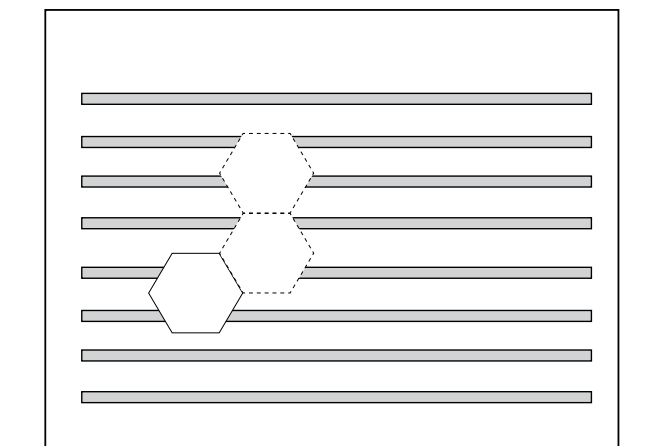


Guidelines

Before starting, read and follow the General Instructions in this document, the guidelines for Glue application and the Care & Maintenance Instructions available on Mogu website.

1. Test your composition on a clean floor, choosing your favorite arrangement;
2. Create a grid of iron beams, or, alternatively, the metallic tape supplied by Mogu, checking the alignment by using a level;
3. Simply position your the first product and check correct allignment;
4. You can now continue with your composition by simply taking the side of each hexagon as reference!

The magnets allow for easy positioning and future rearrangements of composition. Whenever you wish, you can always change the position of each product!



Care & Maintenance

Take care of your panels

Remember that sunlight affects any material; therefore, we suggest you to protect your products from direct sunlight and to bear in mind that even materials with good light resistance may fade in time. Take care to always protect your products from liquids and dirt. Always clean up spills immediately, by gently padding the product's surface with a clean towel.

Cleaning Instructions

Mogu products offer a unique haptic experience provided by their outstanding surface. This surface is delicate, be sure to read the following instructions before cleaning and attend to them carefully. Mogu products are naturally antistatic; hence they will accumulate little dust over time. Clean them only with a sweeper or with gentle spray of compressed air. Refrain from using a vacuum cleaner, in order to avoid damaging the product and its delicate surface.

Mogu Acoustic panels are not washable. Do not use any moist or wet material on the products. Do not use wet mops, wet scrubbers or steam cleaners as these products may cause irreversible discoloration and damages. Do not use wax, polish, oil soap, abrasive cleaners, steel wool, scouring powder, or any appreciable amount of water. Never use solvents on the materials. Avoid spilling any liquid on the panels. Always wipe dry immediately, until no moisture is visible on the product. Do not rub the panels, because this may damage the fibres composing the material.

Product Durability

Mogu Acoustic panels are naturally hydrophobic. However, as it applies to all natural materials, humidity affects the product properties. Never install Mogu products on walls exposed to excessive humidity. Do not expose Mogu products to non-aerated environments. Your newly installed Mogu products are made from natural mycelium and therefore are subject to change from excessive moisture or nonconforming environmental conditions. Remove any standing or trapped water immediately and maintain an indoor relative humidity level below 40% throughout the year. We recommend the usage of Mogu materials only for living environments, and not in kitchens, bathrooms or cellars. Do not scratch, punch or rub the surface to ensure long lasting durability.

Repair & maintenance

Any repair and maintenance services must be performed exclusively under MOGU's personnel supervision or by personnel trained and authorized by MOGU. For safety purposes, only original parts may be used for replacing parts relevant to safety (e.g. the fixing system).

Customer Support

In case of further questions about your Mogu product and about how to look after it, please contact support@mogu.bio. For more information about Mogu and our extended line of products, visit us at www.mogu.bio

Contacts

If you have questions
related to the installation
of your new Mogu product,
please feel free to
contact us at:

support@mogu.bio

enquire@mogu.bio

+39 0332 180 2141

Mogu was founded on the belief that it is possible to employ Nature's intelligence to radically disrupt the design of everyday products, seeking a finer balance between the man-made and the rhythms of the natural ecosystem.

Mogu products are obtained by growing mycelium, the vegetative part of mushrooms, on organic fibres (low-value residues from agro-industrial value chains).

The products are the result of five years of continuous and iterative R&D on mycelium technology, guided by a strong product-driven approach.

